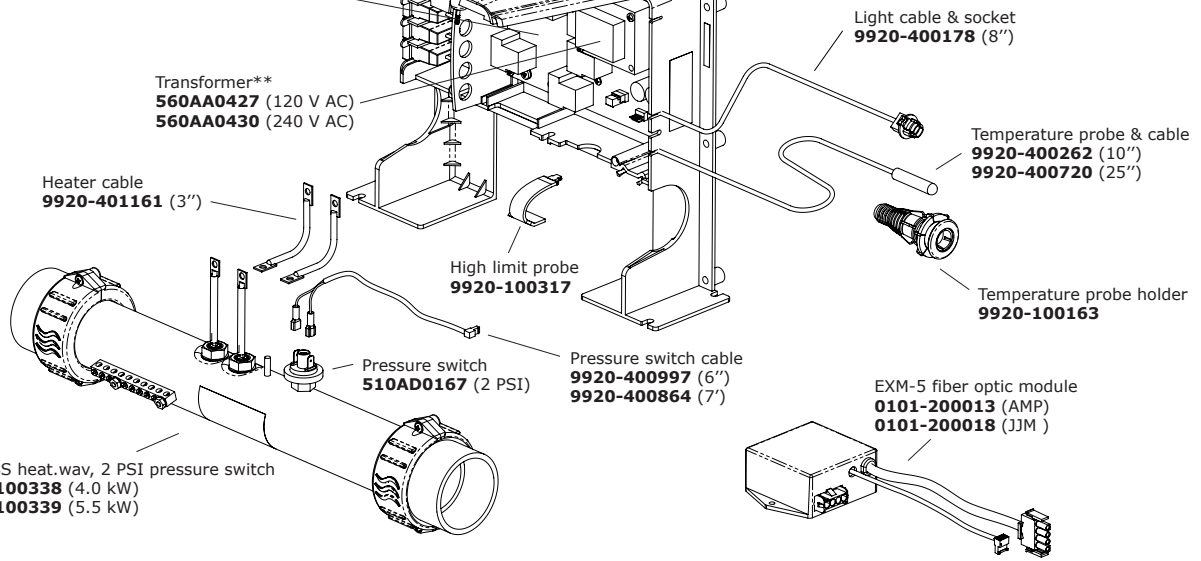


FUSES:  
 F4, Transformer 0.75 A  
**430AD0066**  
 F3, Light, 2.0 A  
**430AC0103**  
 F1 & 2, Pumps, 25 A  
**430AE0033**  
 F5, Accessory, 20 A  
**430AE0027**

S-CLASS control\*  
**0202-205212** (No Receptacles)  
**3-72-7078, 0202-205163** (AMP Receptacles)  
**0202-205209, 0202-205162, 3-72-7079, 0202-205160** (JJM Receptacles)



\* Use our online replacement part finder tool at [www.geckodepot.com](http://www.geckodepot.com) or call us at 1-800-784-3256 to verify board compatibility.  
 \*\* Transformer used to be solder on the board and was not serviceable.